



Parts List

Ref	IPN	Description
C1	015-06100-08	CAP CER 1206 100N 10% X7R 50V
C2	015-06100-08	CAP CER 1206 100N 10% X7R 50V
C10	015-22220-01	CAP CER 0805 22P 5% NPO 50V
C11	015-22220-01	CAP CER 0805 22P 5% NPO 50V
C12	015-06100-08	CAP CER 1206 100N 10% X7R 50V
C13	015-06100-08	CAP CER 1206 100N 10% X7R 50V
C14	015-06100-08	CAP CER 1206 100N 10% X7R 50V
C15	015-06100-08	CAP CER 1206 100N 10% X7R 50V
C16	015-24100-08	CAP CER 0805 1N 10% X7R 50V
C17	015-24100-08	CAP CER 0805 1N 10% X7R 50V
IC1	002-10269-10	IC SMD SCC2691 UART SOL-24
IC2	002-10020-20	IC SMD ADM202 RS-232 CON SO-16
P1	240-10000-10	CONN SMD 20PIN SCREW DOWN PRIC
R1	036-12560-00	RES M/F 0805 56E 5%
R2	036-12560-00	RES M/F 0805 56E 5%
R3	036-12560-00	RES M/F 0805 56E 5%
R4	036-12560-00	RES M/F 0805 56E 5%
SK2	240-00021-20	HEADER 4WAY PADDLE BRD STAGGER
X1	274-01056-00	XTAL 3.6864MHZ AT-51 HOLDER

Mechanical and Miscellaneous Parts

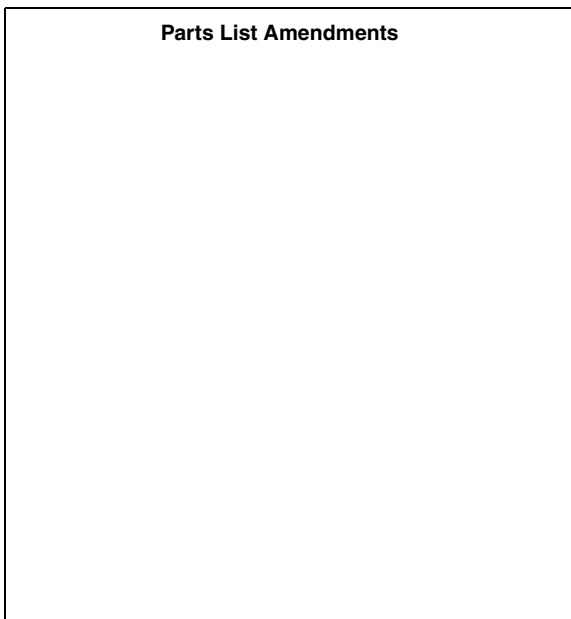
IPN	Description
205-00010-53	CABLE FLAT RIBBON 4 CORE GREY
220-01348-04	PCB T2000 SII UART
240-00026-22	PLUG 4W 2R M-MATCH IDC CABLE
345-00020-02	SCRW M2.5*10 P/POZI ST BZ
352-00010-04	NUT M2.5 MACH HEX ST BZ
353-00010-04	WSHR M2.5/2.6 S/PROOF INT BZ



PCB Information Pack Tait T2000

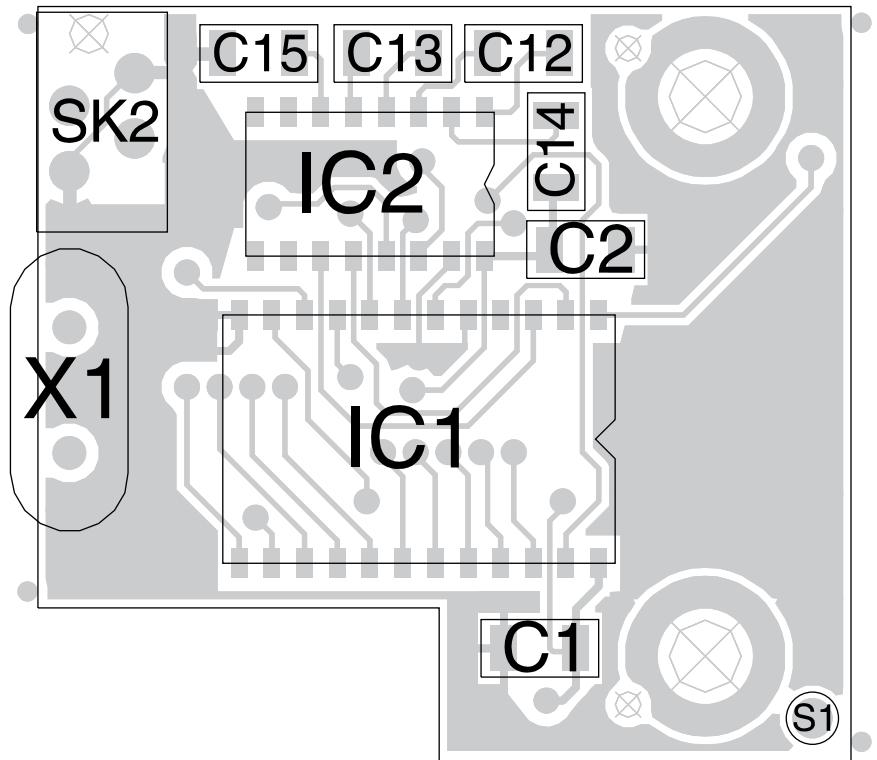
PCB Layout
 Single Port UART Kit
 Parts List 220-01348-04
 IPN 403-01348-04

Parts List Amendments

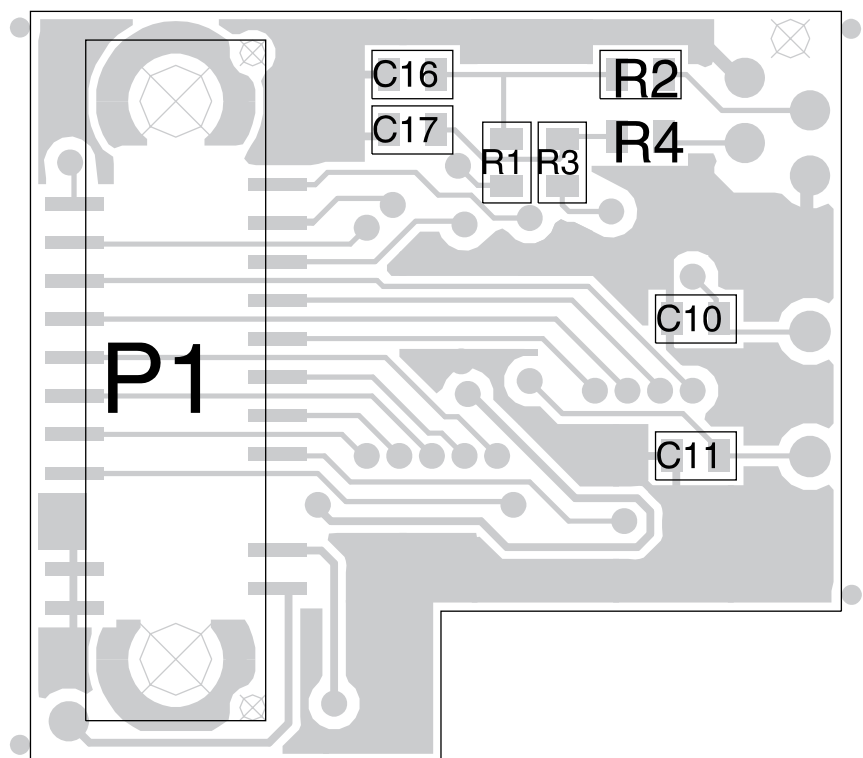


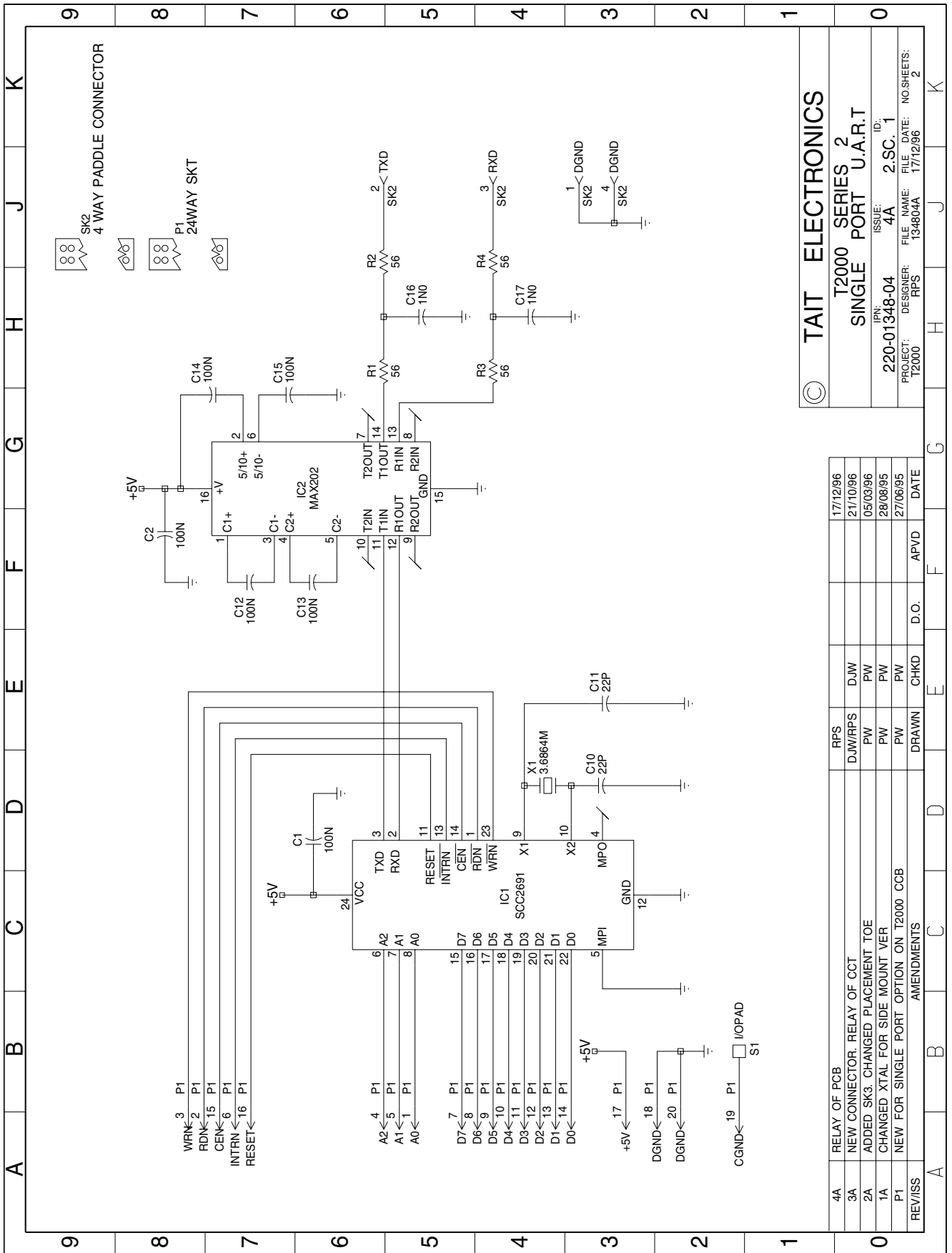


PCB Layout – Top Side



PCB Layout – Bottom Side





© TAIT ELECTRONICS

T2000	SERIES 2
SINGLE PORT	U.A.R.T
IPN: 220-01348-04	ISSUE: 4A
PROJECT: T2000	DESIGNER: RPS
FILE: 134804A	DATE: 17/12/96
NO. SHEETS: 2	

REV/ISS	AMENDMENTS	DRAWN	CHKD	D.O.	APVD	DATE
4A	RELAY OF PCB	RPS				17/12/96
3A	NEW CONNECTOR. RELAY OF CCT	DJW/RPS	DJW			21/10/96
2A	ADDED SK3. CHANGED PLACEMENT TOE	PW	PW			05/03/96
1A	CHANGED XTAL FOR SIDE MOUNT VER	PW	PW			28/08/95
P1	NEW FOR SINGLE PORT OPTION ON T2000 CGB	PW	PW			27/06/95